

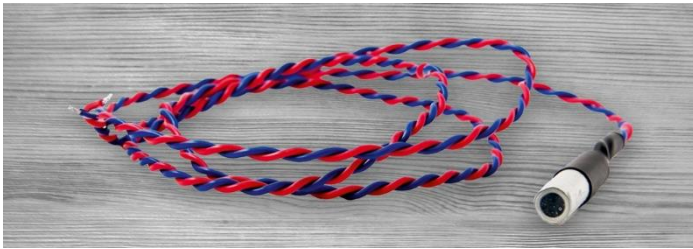
## DESCRIPTION

The Livi TD-01 wired digital temperature sensor (hereafter referred to as the sensor) designed to measure temperature at the installation location.

The sensor sends temperature readings to the [Livi TS temperature sensor](#).

The sensor has a shape of a cylinder of 7 mm in diameter. The sensor is based on a DS18B20 microchip with parasitic power supply.

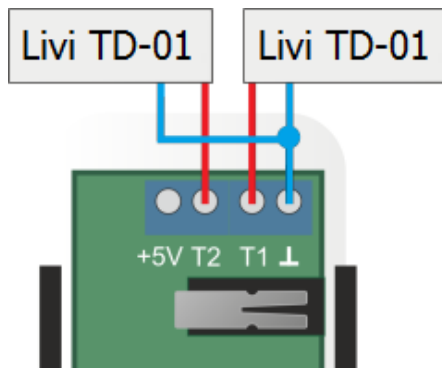
## SENSOR APPEARANCE



## CONNECTING THE SENSOR TO THE LIVI TS

Two sensors can be connected to one Livi TS. Follow these steps to connect the sensor:

1. Open the enclosure of the Livi TS: press one of the latches on the short side of the enclosure using a flat-blade screwdriver and then pull the lid up while pressing the latch.
2. Connect the sensor wires to the Livi TS terminals:
  - connect the red wire of the sensor to the terminal "T1" or "T2" of the Livi TS;
  - connect the blue wire of the sensor to the terminal "GND" of the Livi TS.



3. Follow the steps above for the second sensor if necessary.
4. Close the enclosure of the Livi TS.

Note that the length of the wires between the sensors should not exceed 90 m.

## SENSOR MAINTENANCE

Keep the sensor free of dust and dirt.

**DO NOT** place the sensor in places with high humidity or at temperatures exceeding the operating temperature range (see "Specifications" table).

## SPECIFICATIONS

Temperature measurement accuracy in the range from -10 to +85 °C	±0,5 °C
Connection interface	1-Wire (Touch Memory)
Connection type	Parasite power
Operating voltage	5 V
Operating temperature range	from -45 to +85 °C

## WARRANTY

The manufacturer LLC "NPP Stels" guarantees that the sensor meets AGNS. 425644.015.02 TU technical requirements, provided that the consumer complies with the conditions of transportation, storage, installation and operation.

The warranty period is 5 years from the manufacturing date.

The warranty does not cover the following cases:

1. Non-compliance with the intended operating conditions;
2. Mechanical damage to the sensor;
3. Repairs to the sensor by a third party (a person or a company other than the Manufacturer).